

Data Sheet

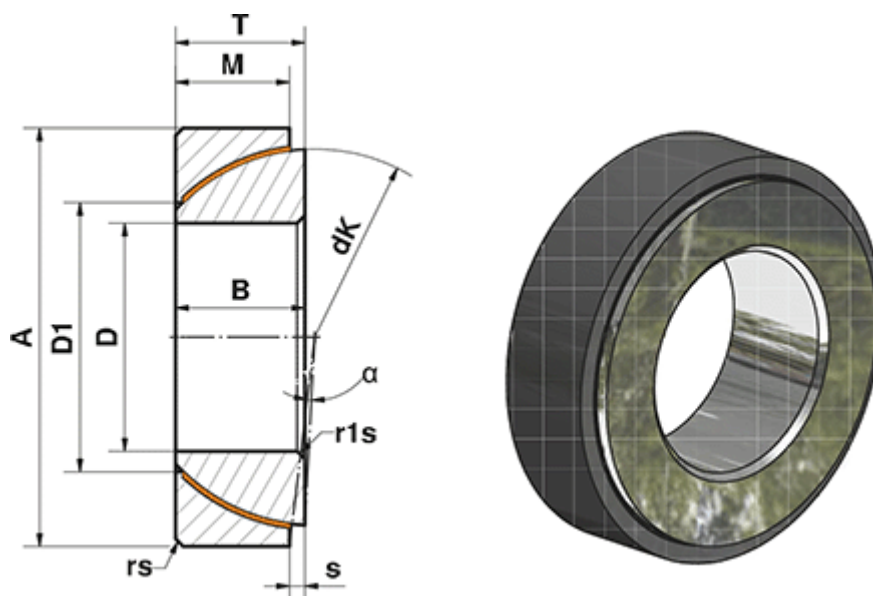


Article number: 03449030

Description: Fluro Heavy Duty Spherical Plain Bearing GE 30 SWE
Hole Ø30

Note: 30

Measures



A	= 55	rs, r1s min	= 1
a (degrees)	= 4.5	S	= 1.3
B	= 17	Static load C0 (kN)	= 298
D	= 30	T	= 17
D1	= 36.8	Weight (g)	= 208
dK	= 49.5		
Dynamic load C (kN)	= 179		
M	= 15		